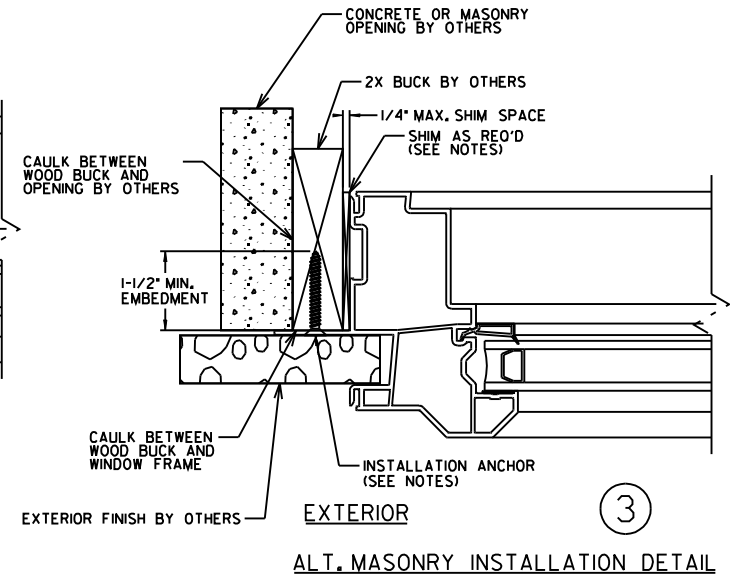
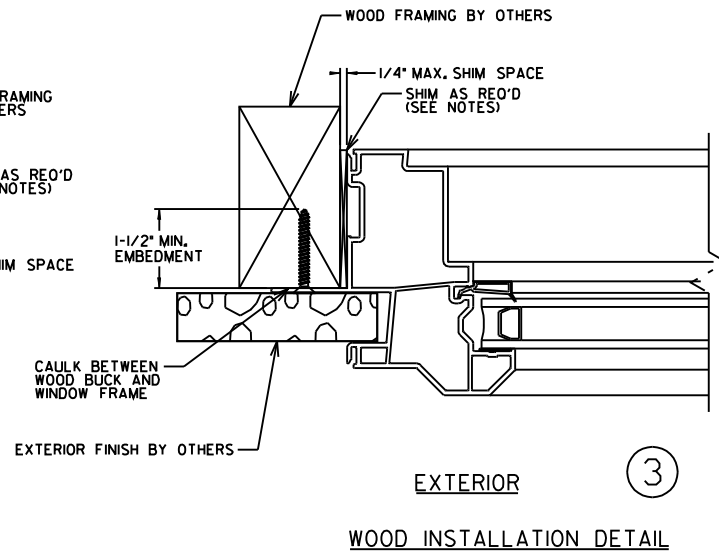
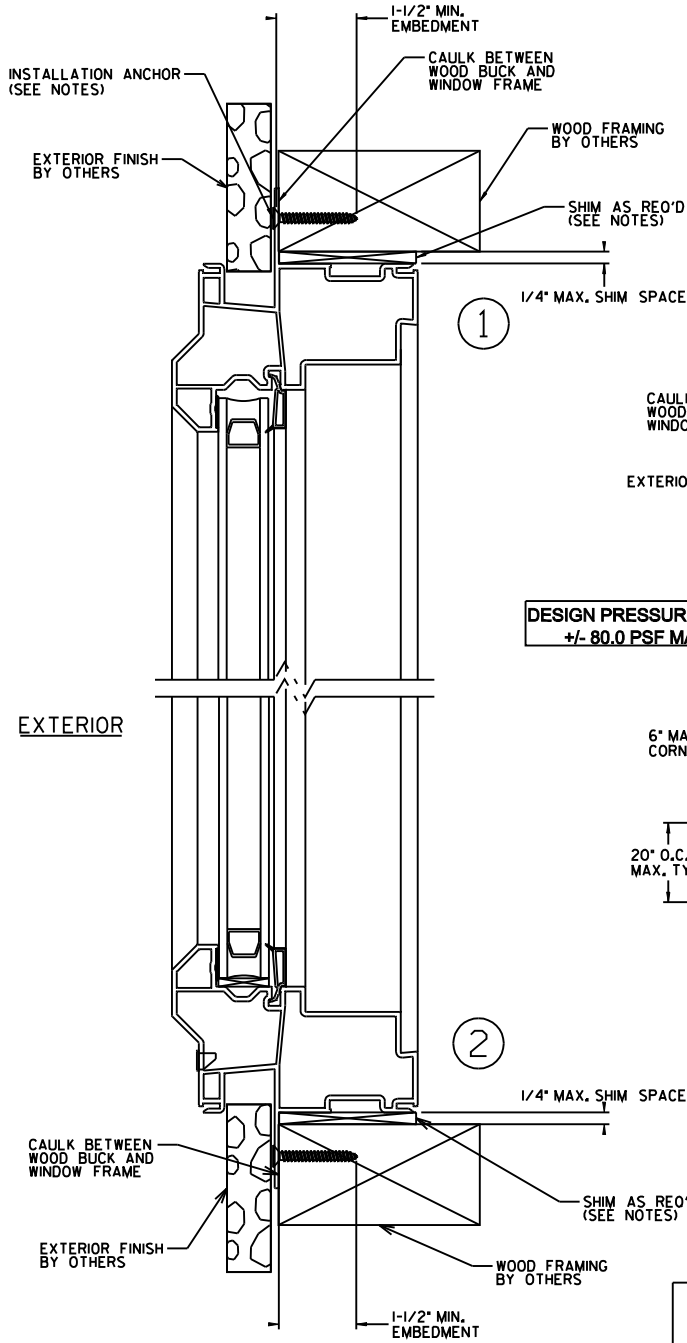
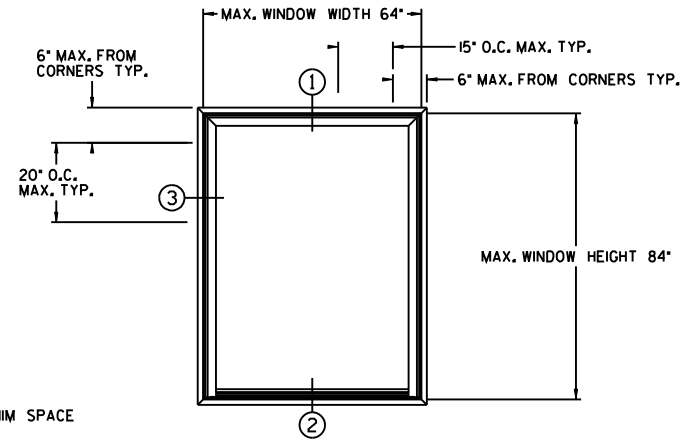


REVISION HISTORY			
REV	DESCRIPTION	DATE	APPROVED
-	DESCRIPTION	DATE	APPROVED



**DESIGN PRESSURE CAPACITY
+/- 80.0 PSF MAXIMUM**

EXTERIOR



EXTERIOR ELEVATION

- GENERAL NOTES:
1. THIS PRODUCT SHOWN HEREIN HAS BEEN TESTED TO BOTH THE AAMA/WDMA/CSA 101/15.2/A440-05 AND ASTM 1886/1996.
 2. SHIM AS REQUIRED AT EACH INSTALLATION ANCHOR WITH LOAD BEARING SHIM. MAXIMUM ALLOWABLE SHIM STACK TO BE 1/4".
 3. WINDOW FRAME MATERIAL: VINYL.
 4. INSTALL #8 SCREWS OF SUFFICIENT LENGTH TO PROVIDE 1-1/2" MINIMUM EMBEDMENT INTO WOOD BUCK FOR NAILING FIN MOUNTED WINDOWS.
 5. CAULK BEHIND WINDOW FLANGE AT HEAD, SILL AND JAMBS. CAULK MUST BE NOVAGUARD MIOIOR APPROVED EQUAL.
 6. APPLICATION OF NOVAGUARD MIOIADHESIVE CAULK MUST COMPLY WITH SEALANT MANUFACTURER'S RECOMMENDATIONS.
 7. USE CAULK FOR PERIMETER SEAL AROUND EXTERIOR OF WINDOW GLASS.
 8. GLASS THICKNESS MAY VARY PER ASTM E1300 REQUIREMENTS GLASS CHARTS.
 9. THE PRODUCT SHOWN HEREIN IS DESIGNED AND MANUFACTURED TO COMPLY WITH THE CURRENT 2004 FLORIDA BUILDING CODE WITH 2006 SUPPLEMENT.
 10. APPROVED IMPACT PROTECTIVE SYSTEM IS REQUIRED ON THIS PRODUCT.

CONFIDENTIAL
UNPUBLISHED WORK © 2007
DECEUNINCK NORTH AMERICA

THIS DOCUMENT CONTAINS PROPRIETARY AND CONFIDENTIAL INFORMATION. DO NOT COPY OR DISCLOSE THIS INFORMATION WITHOUT THE EXPRESS WRITTEN CONSENT OF DECEUNINCK NORTH AMERICA. DECEUNINCK NORTH AMERICA RESERVES THE RIGHT TO CHANGE THIS DRAWING AND ANY ASSOCIATED DOCUMENTS.

UNLESS OTHERWISE SPECIFIED
DIM ARE IN INCHES
TOL ON ANGLES = 1°
2 PL: ± 0.010" 3 PL: ± 0.005"
INTERPRET DIM AND TOL PER
ASME Y14.5M - 1994

THIRD ANGLE PROJECTION



DESIGN BY:	JGM
DATE:	07/05/25
DRAWN BY:	JGM
DATE:	07/09/04
AUTH:	DATE:
AUTH:	DATE:
AUTH:	DATE:
FILENAME:	142000PW.dgn

ALLIANCE
WINDOW SYSTEMS™

American Window Alliance, LLC
1239 Erle Street
North Kansas City, MO 64116
P: (816) 842-5808
F: (816) 842-5855

deceuninck
NORTH AMERICA

381 NORTH GARVER ROAD
MONROE, OHIO 45050

NAME: **WINDGATE PW**

SIZE DWG. NO:	142000PW / FBC	REV. NEW
SCALE:	NTS (LBS/FT.) ----	SHEET: 1 OF 1

us/gm 3/26/2008

H:\p01\mvs\m\ITEMS\INSTALLATION\FBC Drawings\142000PW.dgn